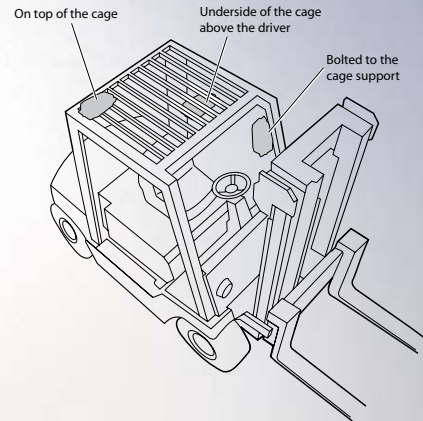


Product profile

IV7

Vehicle Mount RFID Reader



- First RFID reader specifically created for mobile mount applications
- Supports multiple air interfaces including ISO, Gen 2 and Class 1
- Rugged cast aluminum alloy housing, sealed to IP65
- Designed for serial attachment to Intermec's CV60 vehicle mount computer
- General purpose inputs/outputs

RFID has always delivered the twin conveniences of hands-free scanning with little or no human intervention. Now, Intermec has taken that to the next level by adding the convenience of mobility with the new IV7 Intelligat® Vehicle Mount RFID reader. The IV7 joins an award winning family of Intelligat readers that include several handheld and fixed mount form factors.

As Intermec's first packaged forklift-mounted RFID reader system, the IV7 is designed for serial attachment to the Intermec® CV60 vehicle mount computer. Both are built to withstand the rigors of harsh, industrial environments and are sealed to IP65 ratings. The CV60, acting as the local host for the IV7, provides network management and security. The built-in DC-DC converter handles the noisy input power environment.

RFID standards are continuing to evolve, which requires manufacturers and retailers to have multi-protocol reading capability if they are implementing RFID in an open supply chain. When fully equipped, the IV7 can read multiple air interface protocols, even in mixed populations of tags, including EPC UHF Generation 2 (Gen 2), ISO 18000 6-b and EPC Class 1.

While portal mounted readers are capable of capturing pallet data and some carton data, the tagged items must be brought to the reader. Enterprises often need the

flexibility to read RFID tags in certain and not-so-certain locations which may not be near the location of a fixed reader. The Intelligat IV7 not only delivers the flexibility of "read where you need," but also a cost advantage over portal reader systems wherever the number of dock doors is significantly larger than the number of fork trucks.

Commercial and U.S. government supply chains will find the IV7 ideal for pick and put away applications. The CV60 can command the IV7, equipped with a location tag-sensing antenna, to scan for RFID tags when a pallet is picked up. The IV7 captures not only the location of the pallet pick up, but also through what doorway it passed, the path the forklift traveled and where the pallet will be placed.

The wireless capability of the CV60 combined with the snappy reads of the IV7 mean that warehouse management systems are automatically updated with location status as the truck moves through tag-equipped zones, as well as with shelf location data when the pallet is dropped off or retrieved.

The IV7's cast aluminum housing has built-in cable strain relief features, and with pre-drilled holes in the base plate, is designed for either U-bolt or flexible strap attachment to many makes of fork trucks. The IV7 can be mounted in any position on the vehicle within 3.5 m (10 ft.) of the

vehicle battery or power source such as a terminal strip. The communication to the CV60 is via RS232 cable and connection.

Physical Description

The IV7 is a rugged RFID tag reader designed to be mounted on a vehicle for mobile use and operation in the same harsh environment as the CV60 vehicle mount computer.

Physical Characteristics of the Reader

Length: 34.3 cm (13.5")

Height: 9.5 cm (3.75")

Width: 23.6 cm (9.3")

Weight: 3.08 kg (6.8 lbs)

Standard Features

4 Antenna Connections

4 General Purpose Inputs/ 4 Outputs

Multiple Tag Environments

Capable of operation in mixed tag populations

- ISO 18000-6b, EPC UHF Gen 2, and EPC Class 1.

Configurable for mixed or single tag-type operation. Air interface software on IV7 is downloadable to add Gen 2 and Class 1 air interfaces and to "future-proof" the product as standards evolve and new features become available.

Power

Supply: Vehicle DC power 12 to 60V, 4.5 A maximum

Software

Application software for IV7 will reside on the "host" vehicle-mount computer, such as Intermec's CV60. Application program interface (API), Basic Reader Interface (BRI), demonstration and example applications software are included in the RFID Resource Kit, available through Intermec's Developers' Library.

Options

RFID Frequency Options

915 MHz (US FCC), 865 MHz (ETSI 302-208), and 869 MHz (ETSI 300-220)

Communications Interface

RS232

Accessories

Vehicle-mount DC power cable kit
Antennas, and antenna cables

Environment

Operating Temperature:

-25°C to 55°C (-13°F to 131°F)

Storage Temperature:

-30°C to 75°C (-22°F to 167°F)

Humidity (non-condensing):

10% to 90%

Shock and Vibration Protection: Withstands standard material handling vehicle environments. Meets or exceeds MIL STD 810F

Environmental Rating: IP65

Safety & Regulatory Approvals

ANS INCITS 256:1999 (R2001) - Parts 2, 3.1 & 4.2
ANSI MH10.8.4

ISO/IEC CD18000 Part 4

ISO/IEC WD18000 Part 6

- US/C UL Listed
- TÜV/GS Licensed
- CB Report for EN 60950, addressing all national deviations
- FCC OET Bulletin 65, FCC Guidelines for Human Exposure to Radio Frequency Electromagnetic Fields
- CENELEC EN50364/EN50357, European RF Exposure standard
- AS/NZS 2772.1, Australia/New Zealand RF Exposure standard
- Mexico NOM 19

Restrictions on Use

Some approvals and features may vary by country and may change without notice. Please check with your local Intermec sales office for further information.

Intermec reserves the right to make changes without notice to any products herein for any reason at any time, including but not limited to improving the reliability, form, fit, function or design. Please contact Intermec for current price list and availability.

North America

Corporate Headquarters

6001 36th Avenue West
Everett, Washington 98203
Phone: (425) 348-2600
Fax: (425) 355-9551

South America & Mexico Headquarters Office

Newport Beach, California
Phone: (949) 955-0785
Fax: (949) 756-8782

Europe/Middle East &

Africa Headquarters Office

Reading, United Kingdom
Phone: +44 118 923 0800
Fax: +44 118 923 0801

Asia Pacific

Headquarters Office
Singapore
Phone: +65 6303 2100
Fax: +65 6303 2199

Internet

www.intermec.com
Worldwide Locations:
www.intermec.com/locations

Sales

Toll Free NA: (800) 934-3163
Toll in NA : (425) 348-2726
Freephone ROW: 00 800 4488 8844
Toll ROW : +44 134 435 0296

OEM Sales

Phone: (425) 348-2762

Media Sales

Phone: (513) 874-5882

Customer Service and Support

Toll Free NA: (800) 755-5505
Toll in NA : (425) 356-1799

Copyright © 2007 Intermec Technologies Corporation. All rights reserved. Intermec is a registered trademark of Intermec Technologies Corporation. All other trademarks are the property of their respective owners. Printed in the U.S.A. 611638-01D 03/07



In a continuing effort to improve our products, Intermec Technologies Corporation reserves the right to change specifications and features without prior notice.