



Performance Label Materials

For the Electronics Industry



Technology and talent for identifying, informing, tracking, warning, protecting, and

With 3M adhesives, topcoats, facestocks, and liners, you can mix and match for about 150,000 combinations. That means technology and solutions for most labeling requirements for notebook and desktop computers, printers, peripherals, mobile phones, and more. 3M also helps you put that technology to work just about anywhere in the world with global service, expertise, and customer-focused attitude.

- Trained sales and technical team representing years of materials and application experience

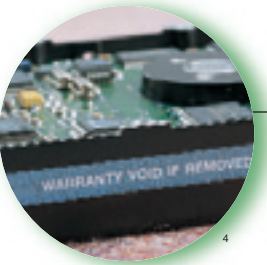
- Application Development Specialist to help customers optimally mix and match label materials
- Broad customization capability in the performance labels industry
- Testing laboratory for label properties and performance
- Custom quotation within 48 hours anywhere in the world
- Liberal sample policy



Tracking – For asset management, 3M™ Polyester Thermal Transfer Label Materials attach permanently and resist wear for reliable inventory control and owner identity.



Informing – High stability, clean removal labels with low outgassing adhesive resist flagging and edge lifting on multiple disk drive applications.



Informing – For an important disk drive notice, a polyester label with 3M™ Low Outgassing Adhesive also seals the “clam shell” edge.



Informing – Designed for the life of the printer, instructional graphics are printed on 3M™ Durable Identification Label Materials.

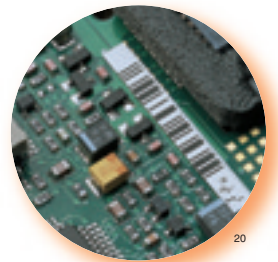


Informing – 3M™ Recyclable Label Material 8000 can be recycled without removal with ABS, PC, PC/ABS, and HIPS housings.



Identifying – For the underside of a mouse, agency and serial numbers stay in place and legible with 3M™ Thermal Transfer Label Material.

securing.



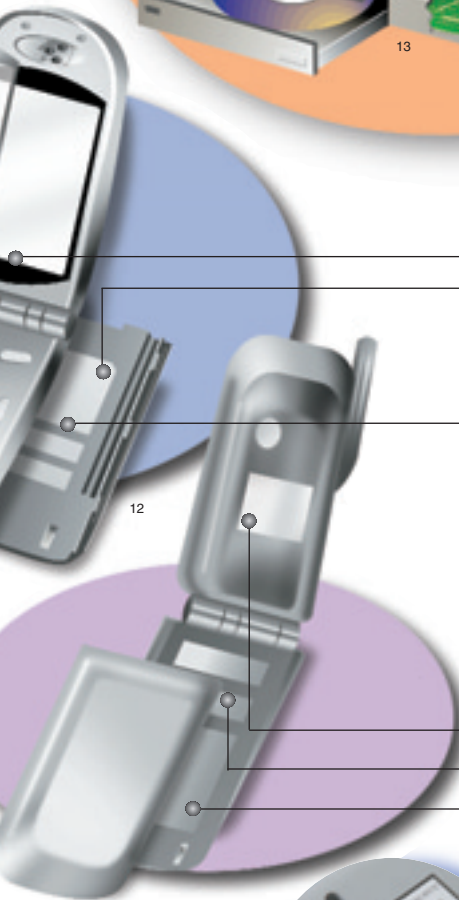
Tracking – 3M™ High Temperature Thermal Transfer Label Material is designed to withstand harsh processes during printed circuit board assembly, including wave solder and reflow.



Tracking – Bar code on 3M™ Thermal Transfer Label Material stays accurately readable for the expected life of the component.



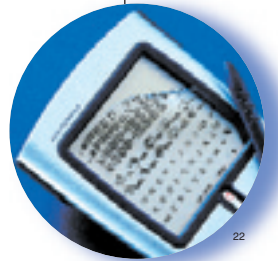
Identifying – Durable 3M™ Thermal Transfer Label Materials identify PC cards.



Warning – With 3M™ Digital Label Material, warning labels survive for the designed life of the product.



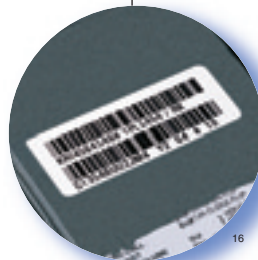
Identifying/Informing – 3M™ Thermal Transfer and Computer Printable Label Material with acrylic adhesives offer permanent adhesion and clean removability.



Informing – As a more reliable alternative to static cling, clear labels attach to glass, metal, and plastic with 3M clean-removal acrylic adhesive.



Securing – 3M™ Triangle Tamper Indicating label is thermal transfer printable.



Tracking – Tracking label bar code stays readily and accurately readable with 3M™ Thermal Transfer Label Material.



Identifying – For durable identification on rating plates, 3M™ Thermal Transfer Label Material bonds on contact for the service life of the component.



Securing – 3M™ Durable Vinyl Label Material shows tampering and makes the label non-transferable.

Applications and general properties of 3M™ Performance Label Materials

Application	Unique Application Needs	Product Family/Description	Product Choices	Mil Thickness (Face/Adhesive only)	Color
1. Identifying/Informing/Warning					
Certification, Instruction, or Warning Label	Thermal transfer printable with adhesion to difficult surfaces for life of the product	Thermal Transfer Polyester with 350 High Holding Adhesive	7871 7868 7872	3.8 3.1 3.8	Gloss white Gloss white Matte platinum
		Thermal Transfer Polyester with P1650 High Performance Adhesive	FM033202 FM032202	3.3 4.5	Gloss white Bright silver
Identification and Information Label	Cost effective thermal transfer printable with adhesion to many surfaces for life of the product	Thermal Transfer Polyester with 310 High Precision Adhesive	7815 7816 7818 7875	3.1 2.8 4.1 2.8	Matte white Gloss white Matte silver Platinum
		Low cost, general purpose thermal transfer label material with adhesion to many surfaces for life of the product.	Thermal Transfer Polyester with P1400 High Performance Adhesive	OFM03402 OFM03502	2.9 2.9
Recyclable Label	Label stock is recycling compatible with PC, ABS, PS, HIPS & PC/ABS plastics. Thermal Transfer Printable.	Recycling Compatible ABS with 350 High Holding Adhesive	8000	4.2	Matte white
Re-work Label	Permanent yet cleanly removable on many substrates. Low-outgassing adhesive resists flagging and edge lifting on disk drive applications.	Thermal Transfer Polyester with 550 Removable Adhesive	5770	2.8	Matte white
			5771	3.1	Gloss white
2. Tracking					
Inventory Control Label	Cost effective thermal transfer printable with adhesion to many surfaces for life of product	Thermal Transfer Polyester with 310 High Precision Adhesive	7815 7816 7875	3.1 2.8 2.8	Matte white Gloss white Platinum
		Low cost, general purpose thermal transfer label material with adhesion to many surfaces for life of the product	Thermal Transfer Polyester with P1400 High Performance Adhesive	OFM03402 OFM2402	2.9 2.9
PCB Tracking Label	Barcode printable with high temperature resistance. Survives solder processing.	High Temperature Polyimide (Kapton™) with 100 High Temp Adhesive	7811 7812	4.0 4.0	Matte white Matte white
	High temperature resistance. Thermal transfer printable.	High Temperature Acrylate with 150 High Temp Adhesive	3923	2.8	Matte white
Laser Markable Label Material	Laser etchable film, most durable label construction.	Laser Etch Acrylate with 350 High Holding Adhesive	7847	3.6	Matte black on white
			7848	3.6	Matte silver on black
3. Securing					
Tamper Indicating Label	Tamper indicating stocks designed to provide a "void" message in the facestock when removal is attempted	VOID Tamper Indicating Polyester with 350 High Holding Adhesive	7381/7866 7380	3.0 3.0	Gloss white Bright silver
		VOID Tamper Indicating Polyester with P1410 Tackified Adhesive	FMV22 FMV02	2.9 2.9	Gloss white Bright silver
	Tamper indicating material designed to provide triangle pattern when removal is attempted	Triangle Tamper Indicating Polyester with P1410 Tackified Adhesive	FMV01202 FMV01402	2.9 2.9	Bright silver Gloss white
		Tamper evident material destructs if attempts are made to remove from substrate	Destructible Vinyl with 350 High Holding Adhesive Destructible Vinyl with 200 High Strength Adhesive	7613 7885	2.8 3.0
4. Protecting					
Masking	Ultra clear, printable label material for lens protection applications. Low tack adhesive with clean removability.	Highly Transparent Polyester with Removable Adhesive	76991	2.0	Ultra clear
	High tack adhesive with ultra clean removal.	Thermal Transfer Polyester with R3500 Ultra Removable Adhesive	FM1542	2.8	Gloss clear
		Press Printable Polypropylene with R3500 Ultra Removable Adhesive	FP562	2.8	Clear
Overlaminates	Protects surface of label from abrasion, sunlight, chemicals, or moisture. Film liner offers excellent graphic appearance.	Non-topcoated Polyester with P1400 High Performance Adhesive	OFM010N	1.8	Gloss clear
		Thermal Transfer Polyester with 400 High Tack Adhesive	7744FL	2.1	Matte clear
		Non-topcoated Polyester with 400 High Tack Adhesive	7730FL	1.8	Gloss clear

If you need additional information, please contact Performance Label Materials: 1-800-422-8116 or www.3M/converter

PRODUCT USE: All statements, technical information and recommendations contained in this document are based upon tests or experience that 3M believes are reliable. However, many factors beyond 3M's control can affect the use and performance of a 3M product in a particular application, including the conditions under which the product is used and the time and environmental conditions in which the product is expected to perform. Since these factors are uniquely within the user's knowledge and control, it is essential that the user evaluate the 3M product to determine whether it is fit for a particular purpose and suitable for the user's method of application. **WARRANTY AND LIMITED REMEDY:** Unless stated otherwise in 3M's product literature, packaging inserts or product packaging for individual products, 3M warrants that each 3M product meets the applicable specifications at the time 3M ships the product. Individual products may have additional or different warranties as stated on product literature, package inserts or product packages. **3M MAKES NO OTHER WARRANTIES, EXPRESS OR IMPLIED, INCLUDING, BUT NOT LIMITED TO, ANY IMPLIED WARRANTY OF MERCHANTABILITY OR FITNESS FOR A PARTICULAR PURPOSE OR ANY IMPLIED WARRANTY ARISING OUT OF A COURSE OF DEALING, CUSTOM OR USAGE OF TRADE.** User is responsible for determining whether the 3M product is fit for a particular purpose and suitable for user's application. If the 3M product is defective within the warranty period, your exclusive remedy and 3M's and seller's sole obligation will be, at 3M's option, to repair or replace the product or refund the purchase price. **LIMITATION OF LIABILITY:** Except where prohibited by law, 3M and seller will not be liable for any loss or damage arising from the 3M product, whether direct, indirect, special, incidental or consequential, regardless of the legal theory asserted, including warranty, contract, negligence or strict liability.



Electronics

Building 21-W-10
900 Bush Avenue
St. Paul, MN 55106
800-422-8116 • 877-722-5072 (fax)
www.3m.com/electronics

3M is a trademark of 3M

Printed in U.S.A.
© 3M 2005 60-5002-0089-8